

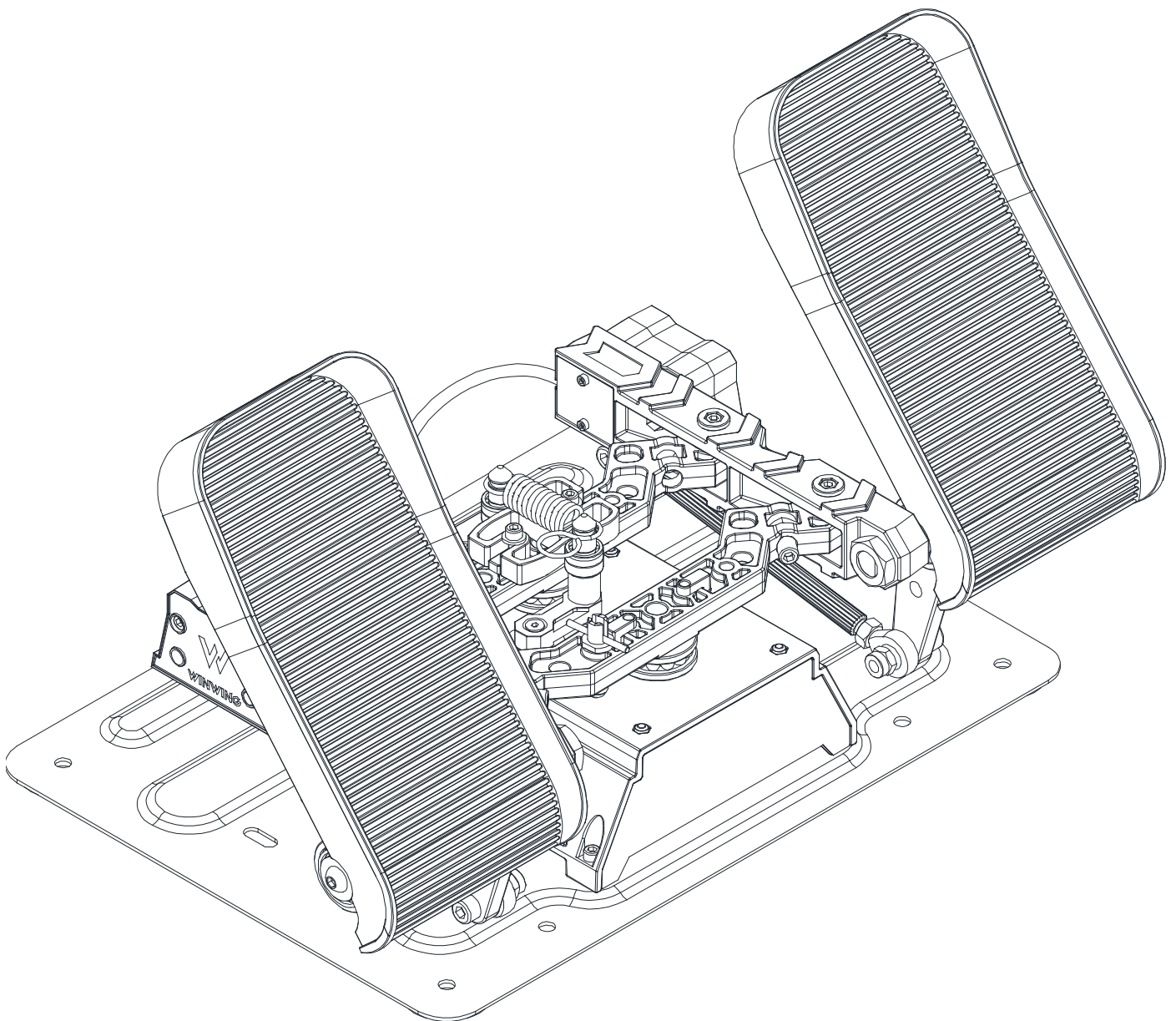
WINCTRL

WINCTRL Orion 32 Rudder Pedals Metal 1.0

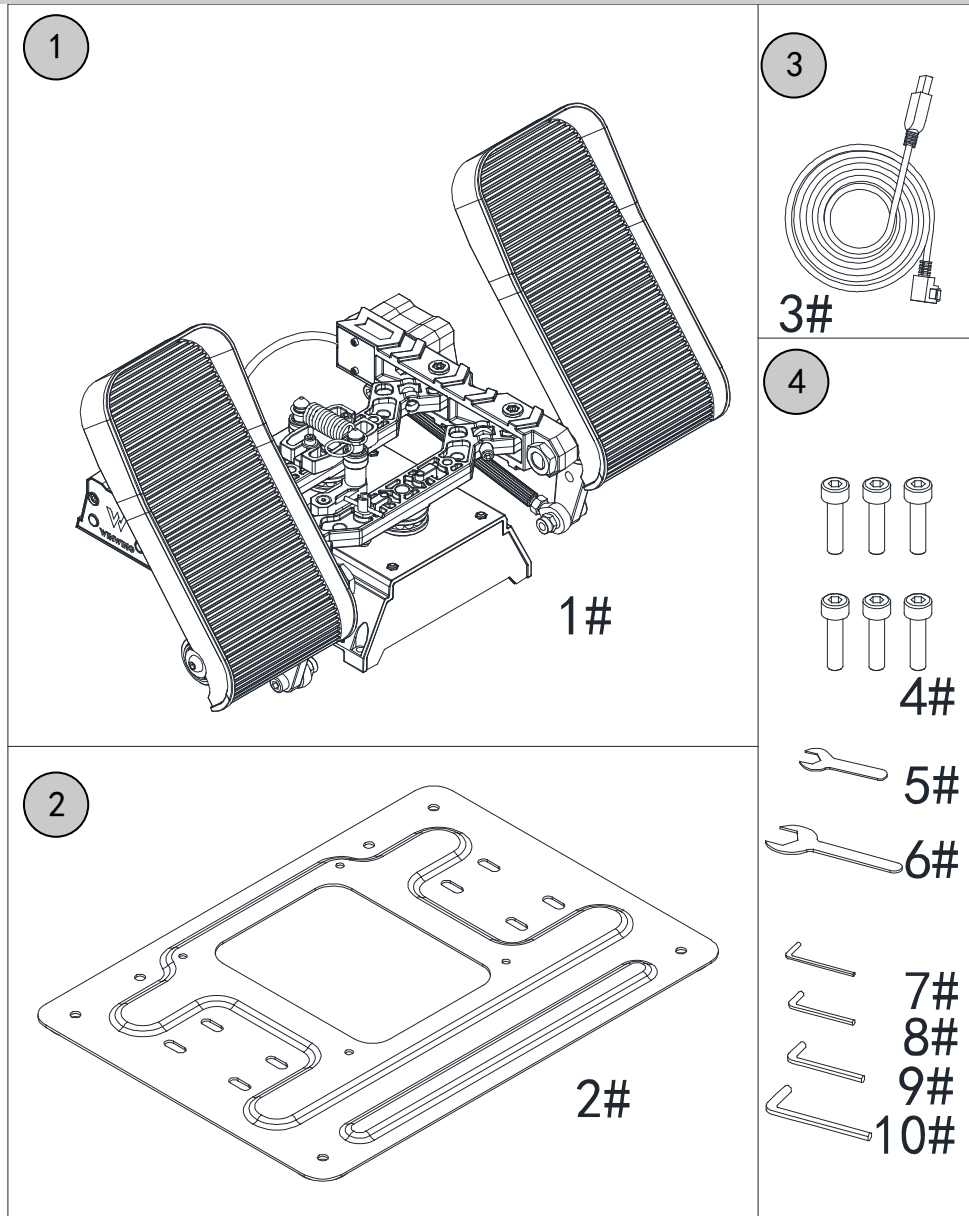
Model O.R.32.MET.1

User Manual

V1.0 2025.09.04



Package List



①	···O.R.32.MET.1 (1#) ···········	1
②	···Base Plate (2#) ···········	1
③	···Data Cable (3#) ···········	1
④	···Accessories Kit (4#-10#) ···········	1

4#: Hex socket head cap screw M5*20

5#: Open-end wrench 13;

6#: Open-end wrench 24

7#: Open-end wrench 3

8#; Open-end wrench 4

9#: Open-end wrench 5

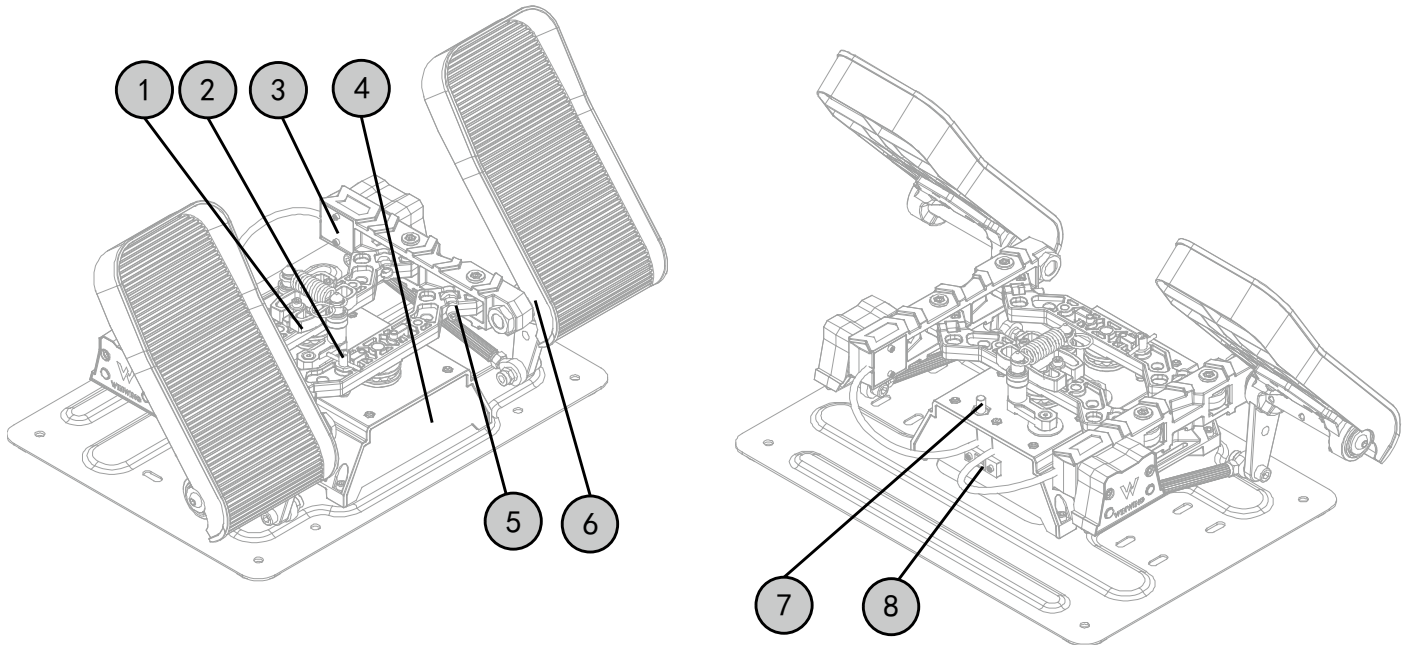
10#: Open-end wrench 6

Catalog

1 Product Discription	1
1.1 Parts Discription	1
1.2 Performance Parameter	2
1.3 External Dimension	3
1.4 Installation Dimension	4
1.5 Compatible Models	5
2 First Use	5
2.1 Software Installation	5
2.2 Parts Installation	6
2.3 How to use	6
3 Function	7
3.1 Machinery and Special Features	7
3.2 Buttons	8
3.3 Data Interface	8
3.4 Adjustment Methods	9
4 Installation Method	11
4.1 Install Base Plate and Pedal	11
4.2 Place and Use Directly	13
4.3 DAMPER Installation (*Need to purchase separately)	14
4.4 Profile Bar Installation (*Profile Bar and Accessories Need to be Self-prepared)	14
5 Maintenance and Care	16
5.1 Firmware Update	16
5.2 Cleaning and Maintenance	16
5.3 FAQs and After-Sales Service	18
6 Safety Precautions	19

1 Product Description

1.1 Parts Description



①···Main Shaft

②···Lock Pin

③···Brake Indicator

④···LED Indicator

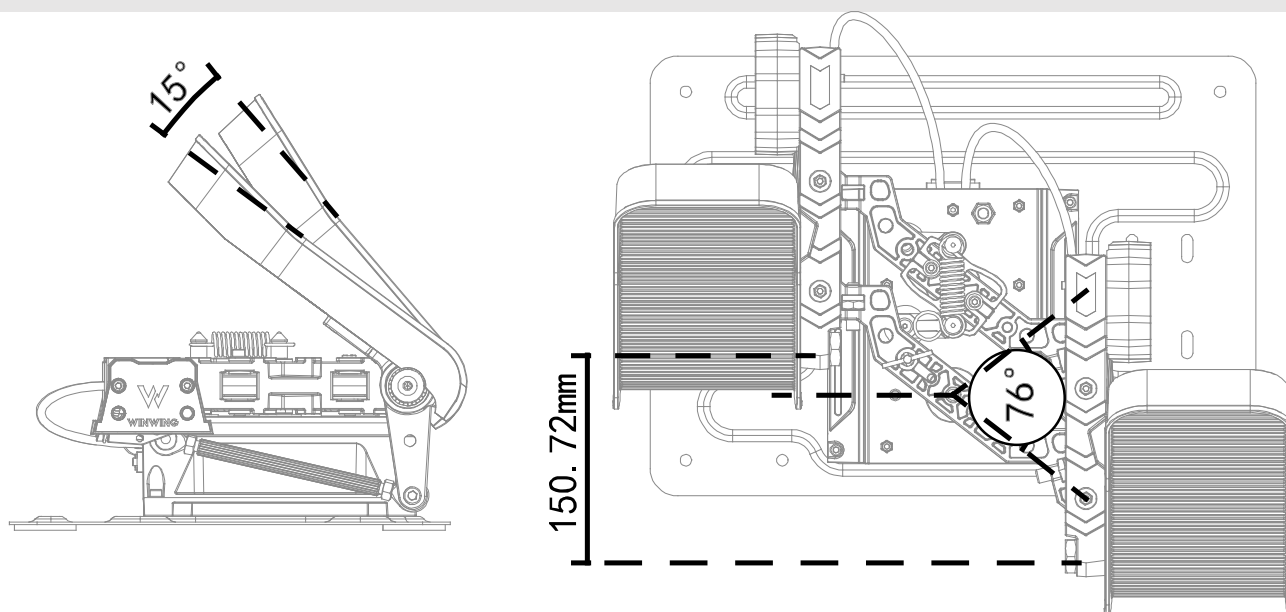
⑤···Limit Adjust Screw

⑥···Brake Axle

⑦···Expansion Postion

⑧···USB Interface

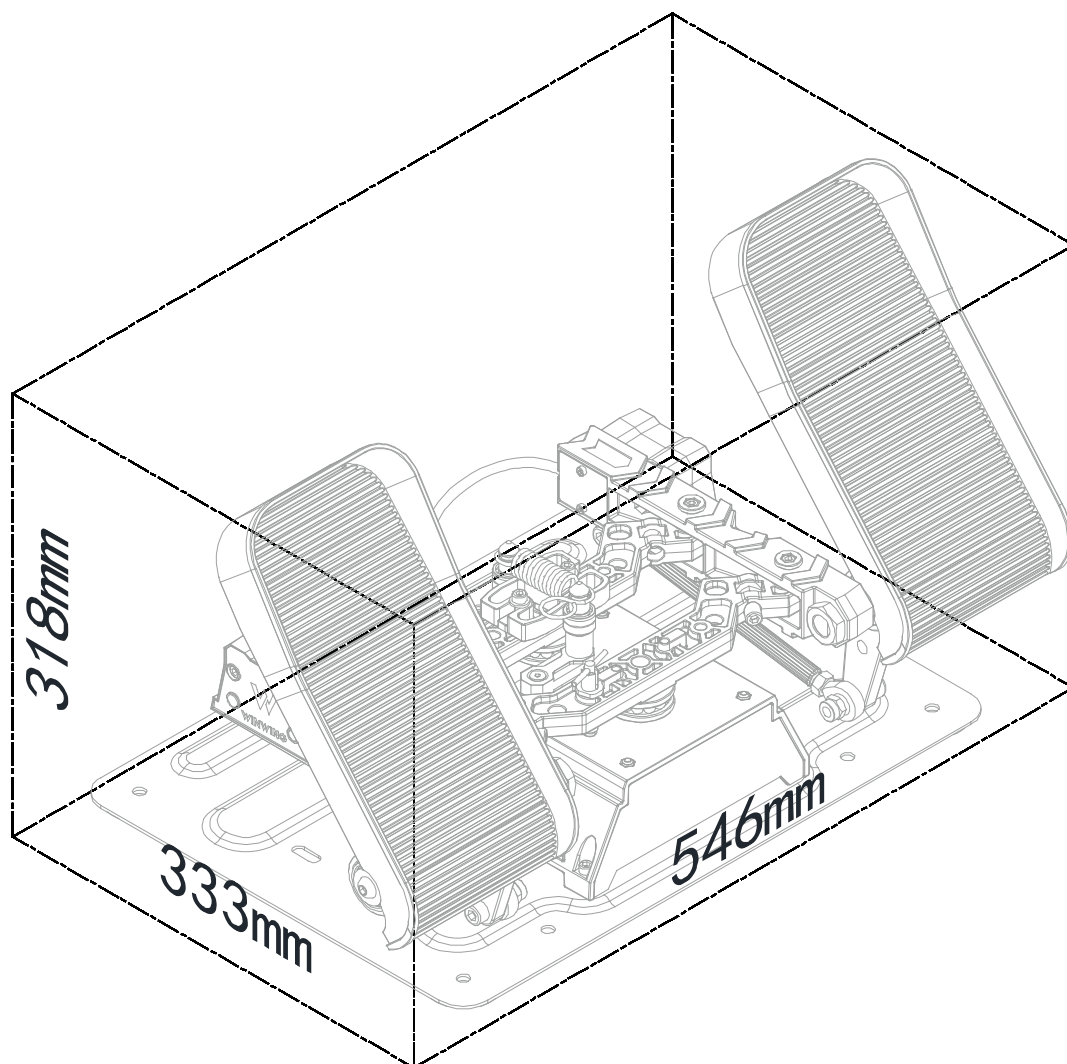
1.2 Performance Parameter



1.2.1 The brake axis travel is 15° 。

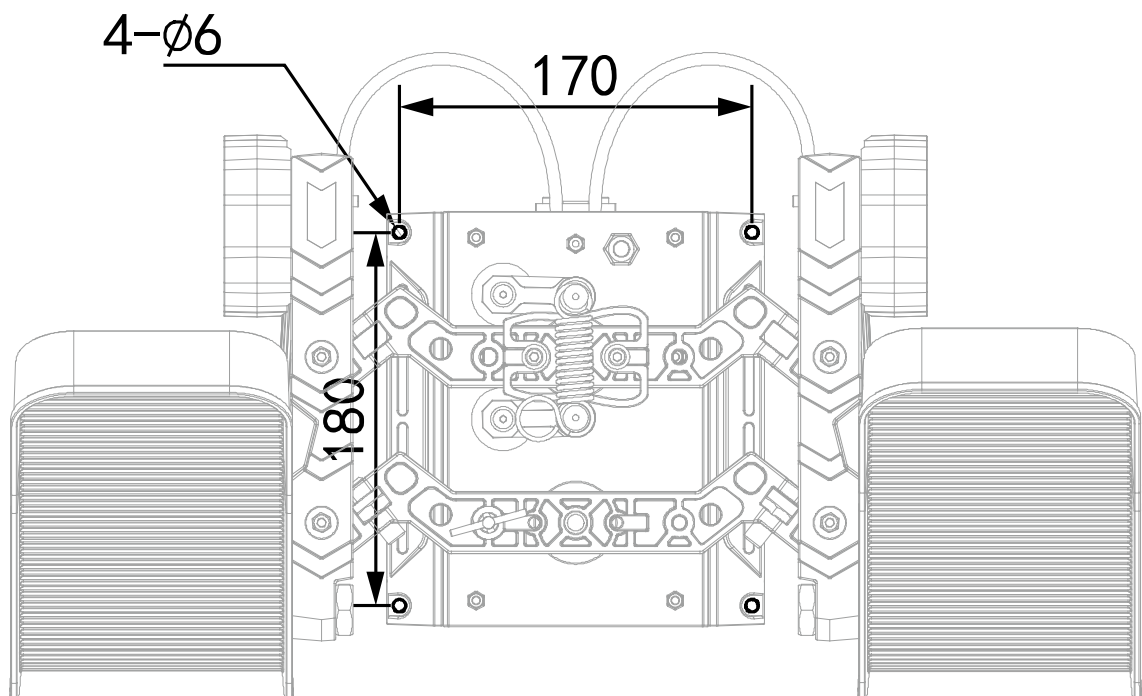
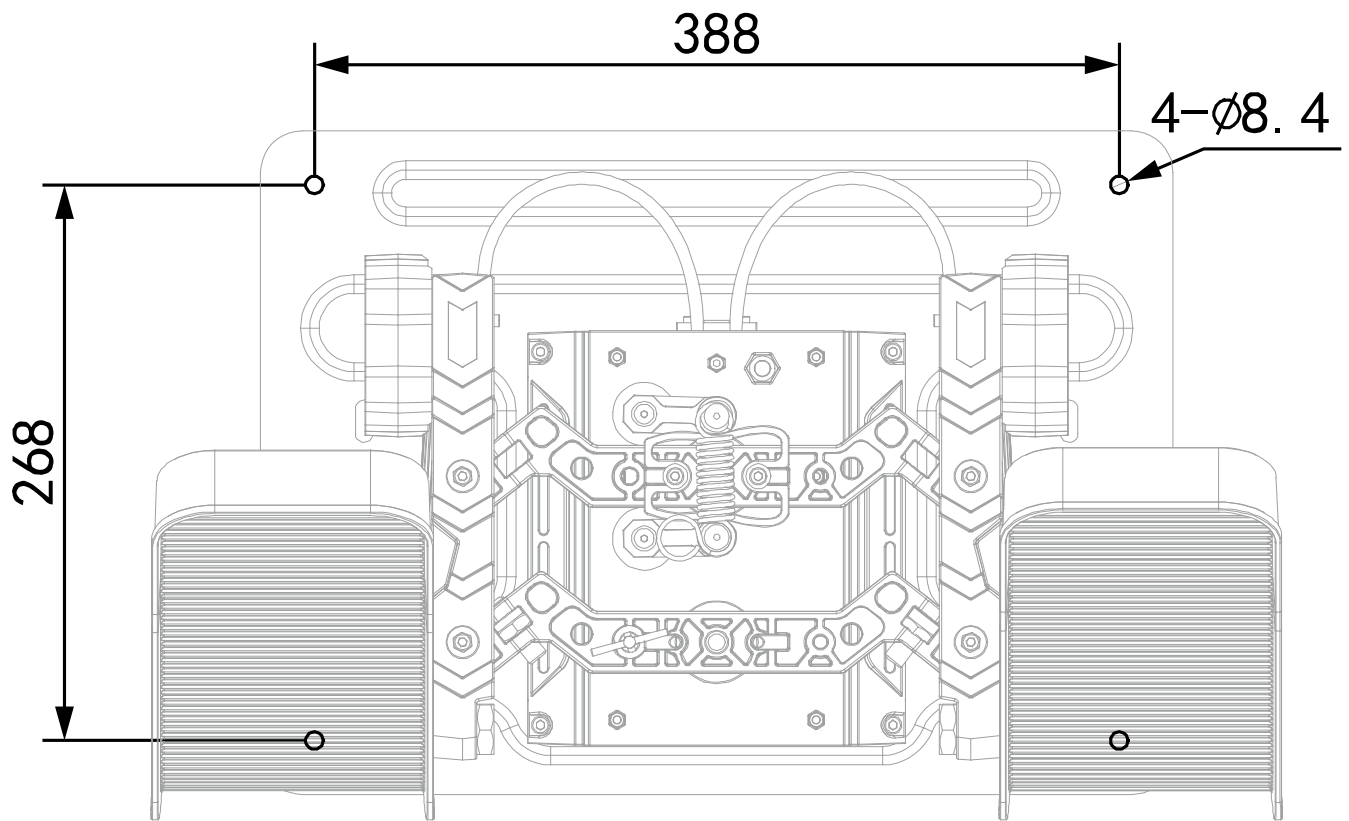
1.2.2 The main shaft movement travel is 76° or 150.72mm。

1.3 External Dimension



- ...LxWxH =54mm*333mm*318mm; weight is 8.0Kg=17.64lb

1.4 Installation Dimension



- Metal plate installation hole is 4- \varnothing 8.4, spacing is 388mm*268mm;
- Installation hole is 4- \varnothing 6, spacing is 170mm*180mm.

1.5 Compatible Models

- Use alone;
- Use with DAMPER1 (Need to purchase separately) ;
- Supported to be installed on 4080 profile bar (Profile bar and relative accessories need to be self-prepared) 。

2 First Use

2.1 Software Installation

- Download SimAppPro

Download URL:

Mainland China Download Link: <https://cn.winctrl.com/view/simapppro.html>

Global Download Link: <https://winctrl.com/view/simapppro.html>

- Install SimAppPro

Please follow the instructions to install the software, then run the program.

The product can be customized within SimAppPro. (For more details, please refer to the SimAppPro User Manual.)

- When using the product, please run SimAppPro first before entering the game (the product will automatically adapt to supported games and aircraft models, plug-and-play. For more details, please refer to the SimAppPro User Manual).

SimAppPro User Manual Download Link:

Chinese User Manual

<https://cn.winctrl.com/view/regular.html#manual-130>

English User Manual

<https://winctrl.com/view/regular.html#manual-132>

2.2 Parts Installation

- Connect pedal bolt and metal base plate(2#); (please refer to Installation Method 4)
- Installed to a profile bar based on individual needs() 根据自身需求安装在型材上使用。
(please refer to Installation Method 4)

2.3 How to use

- Device connection

The product connects to the computer via the data cable(3#) in the package. (For details on the interfaces, refer to Section 3.3 Data Interface)

How to Connect:

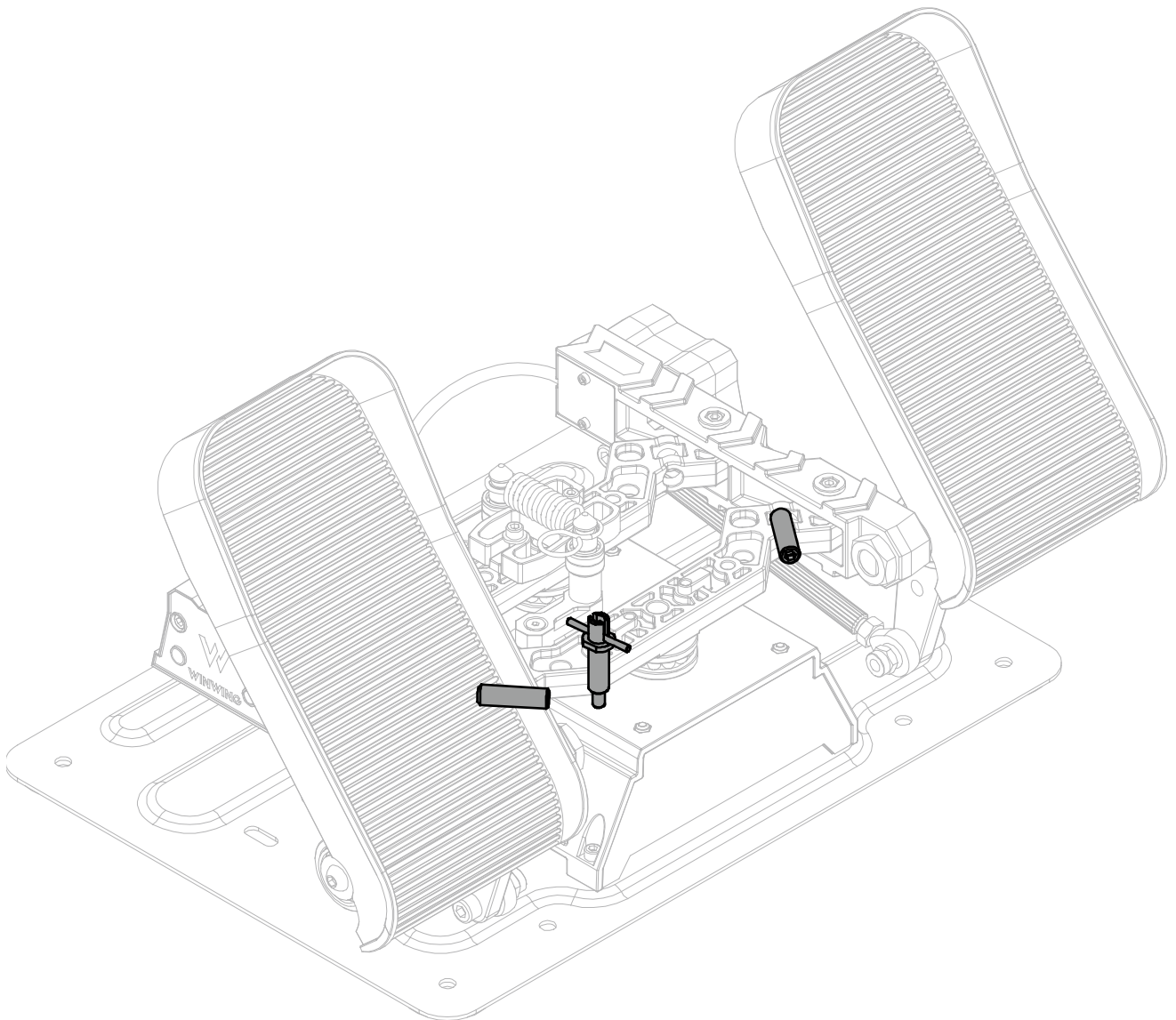
Plug the data cable (3#) into the product's USB port and connect it to your computer.

For products requiring assembly, only the USB port supports hot-swapping. Connect other cables only after USB cable is connected.

(Note: If you need to connect other cables such as PS2, SATA, or aviation connectors, make sure to disconnect the USB cable before proceeding.)

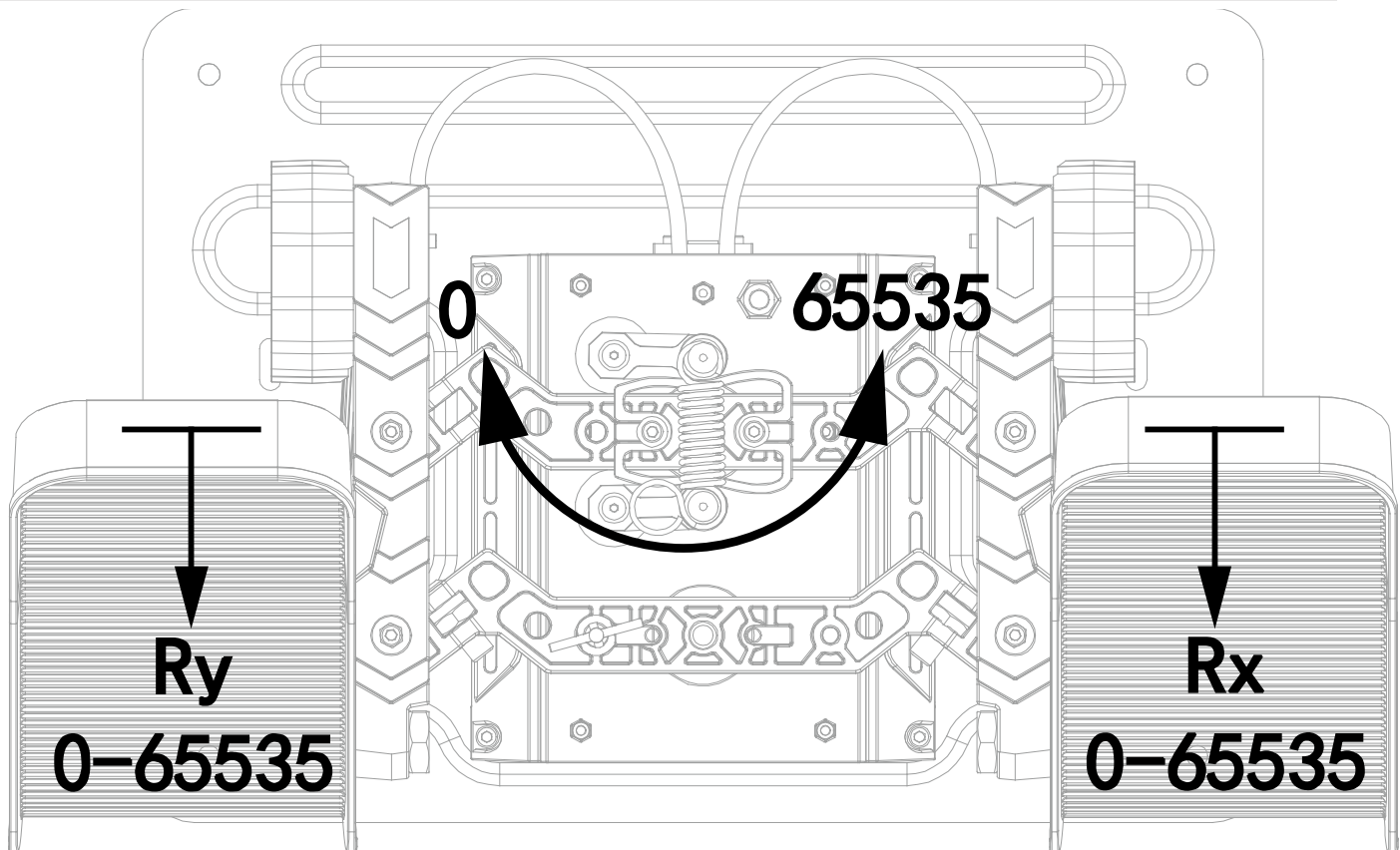
3 Function

3.1 Machinery and Special Features



-main shaft Lock.
-main shaft travel stepless regulation.

3.2 Buttons



- LED Status Display:
 - Green steady slow flash (1s interval) — BOOT Mode
 - Green slow flash (1s interval) for 5 times, then stay on — Operation Mode
 - Green slow flash (1s interval) for 5 times, then off — Power-Only Mode

3.3 Data Interface

- USB Interface

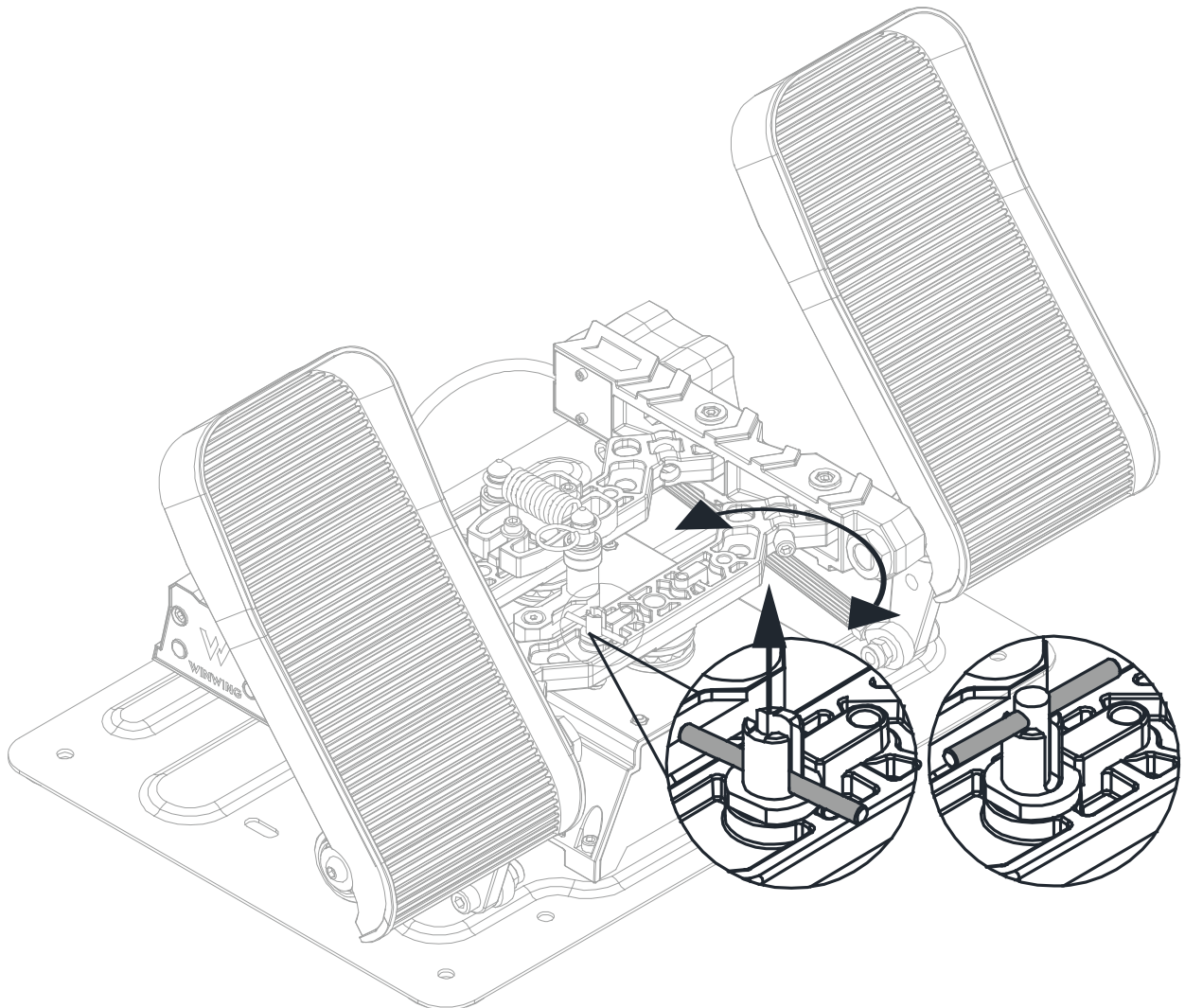
Used for transmission and power supply between the product and the computer.

Simply connect this cable to use the product.

Communication Protocol: HID

3.4 Adjustment Methods

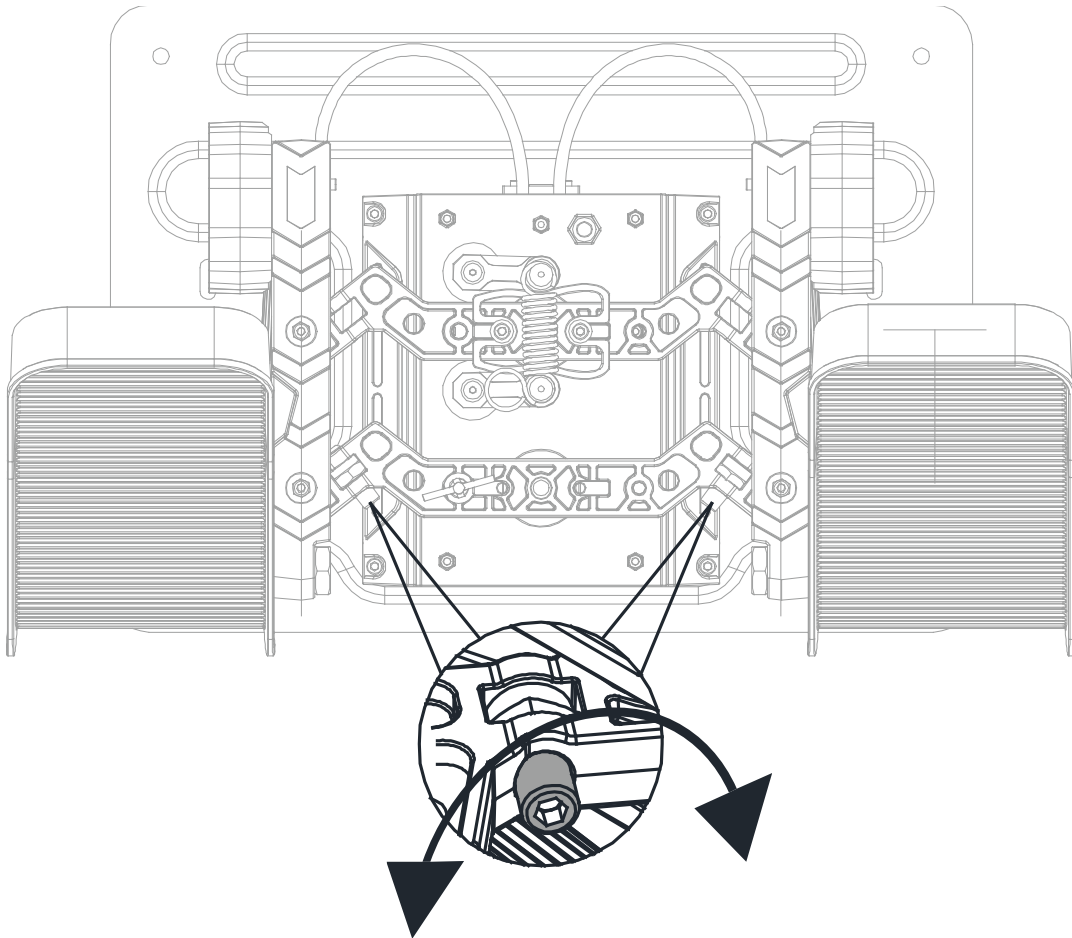
3.4.1 How to use T-shape pin



- ...Pull the crossbar upward and rotate it 90° . When the spring pin is not inserted into the hole, the main shaft can rotate normally.;
- ...Rotate the crossbar 90° . When the spring pin is inserted downward into the hole, the main shaft is locked and cannot be operated.

Note: Do not forcibly operate the main shaft after it is locked, as this may cause the spring pin to fail or be damaged.

3.4.2 Adjustment Memthod of Travel Screw

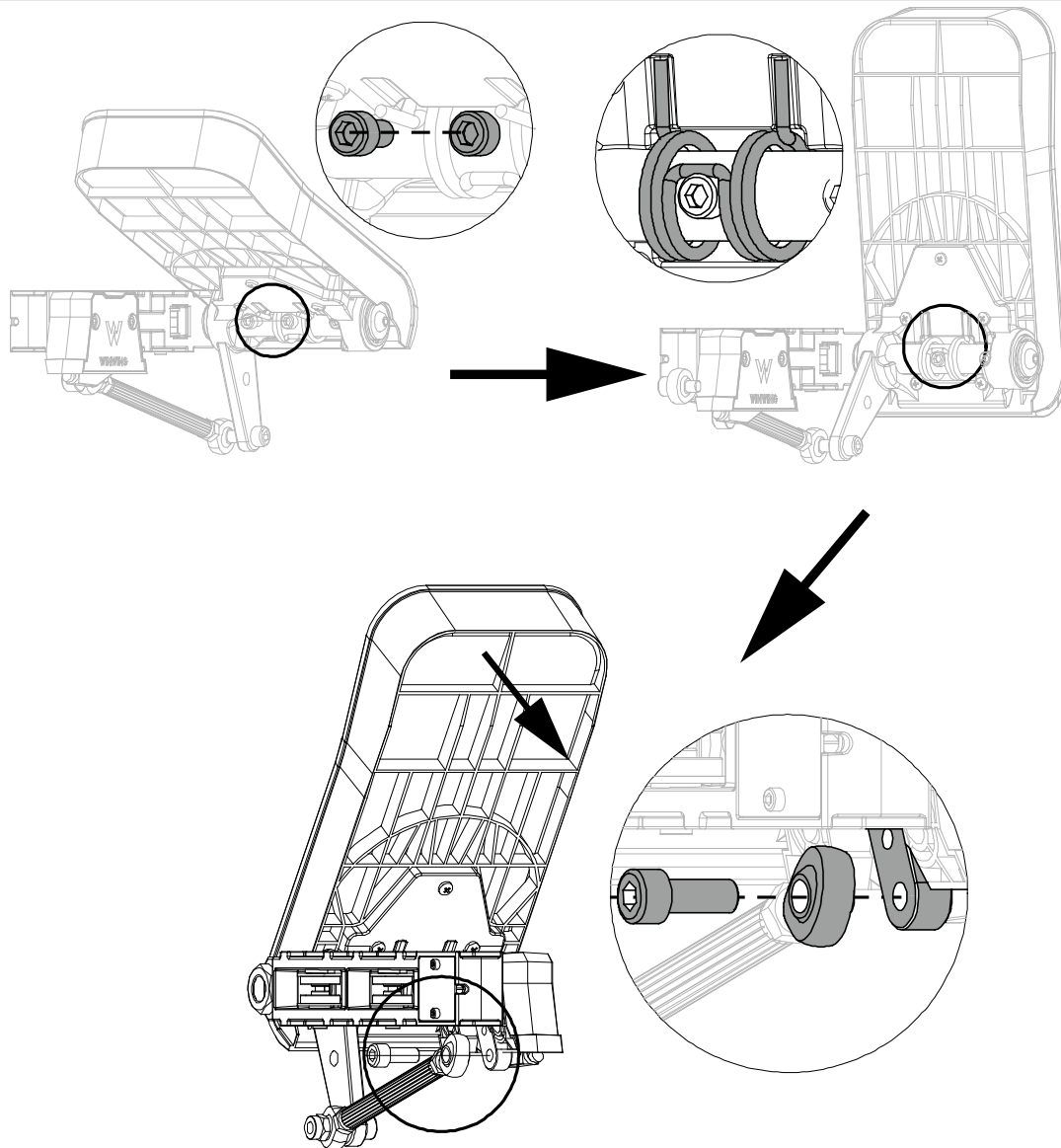


- ...Use a hex (Allen) tool to turn the screw clockwise to reduce the travel on that side; turn it counterclockwise to increase the travel. Adjustment range: 0 - 38°

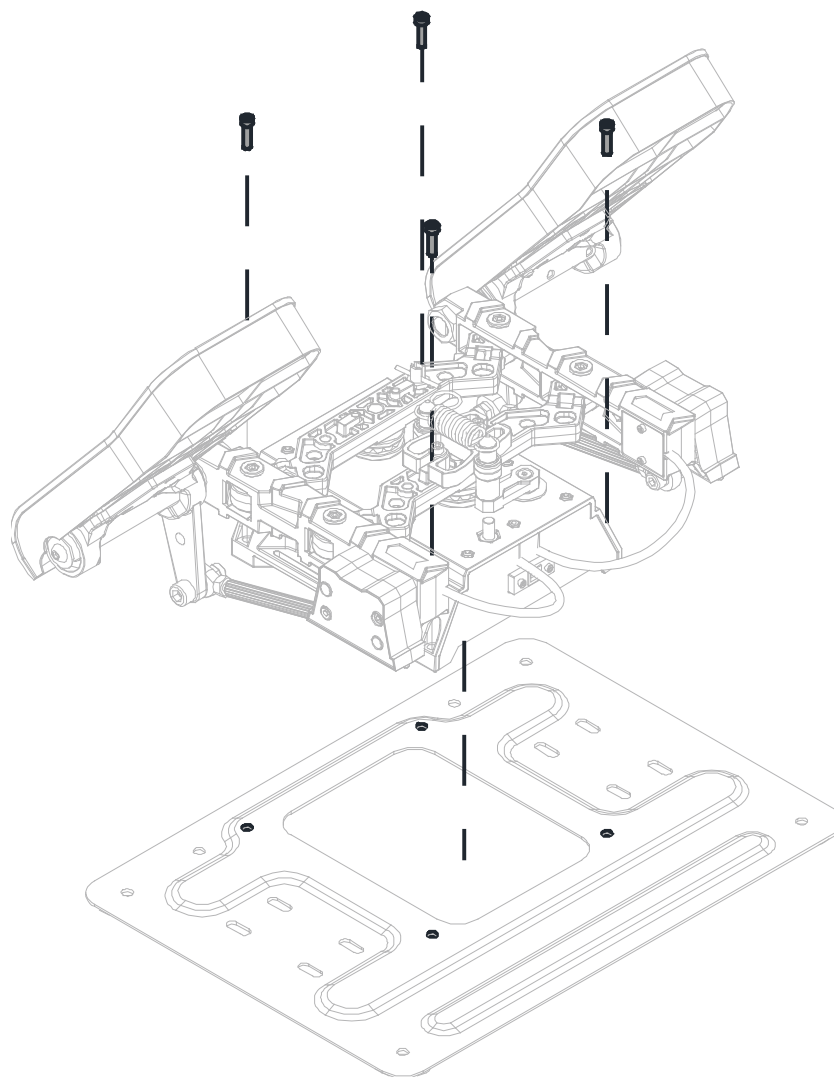
Note: Please adjust both sides simultaneously to ensure the travel is consistent on both sides

4 Installation Method

4.1 Install Base Plate and Pedal

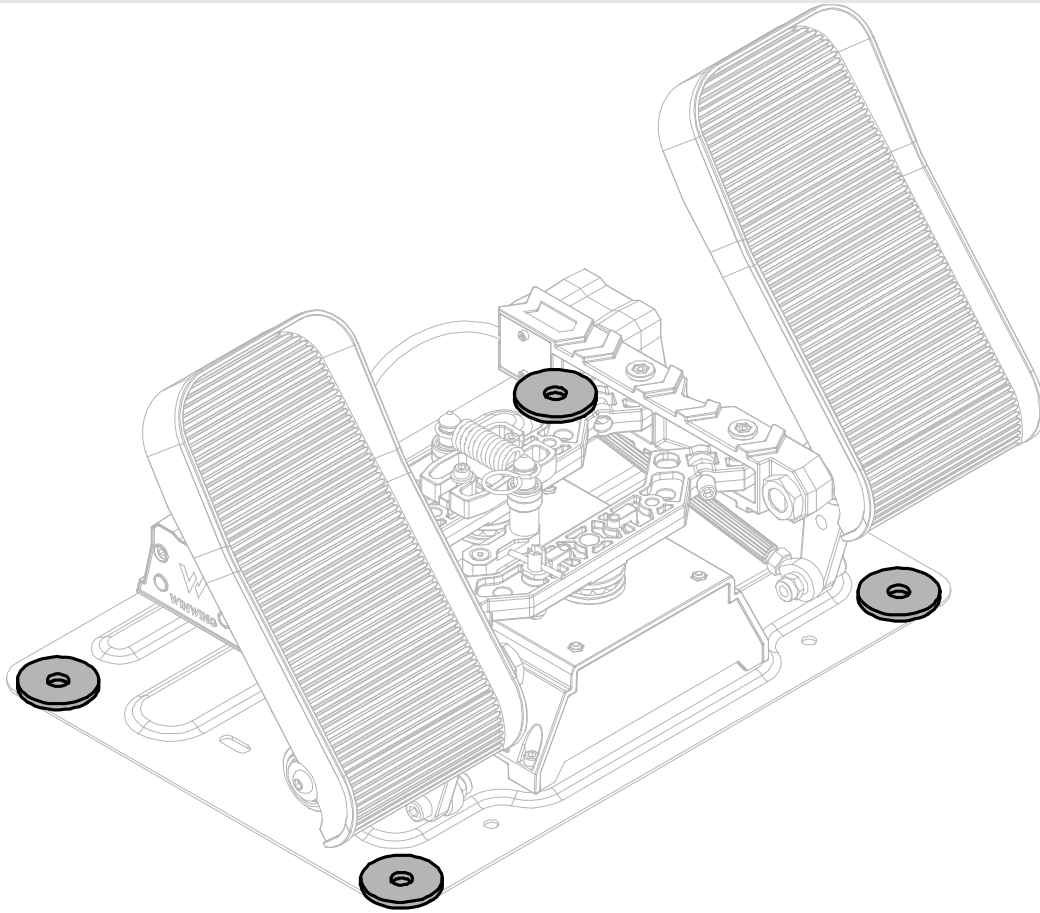


- ...Use tool (9#) to remove the screw, adjust the torsion spring, then tighten the screw beneath the torsion spring.
- ...Use tool (10#) to remove the screw passing through the spherical bearing. Press and hold the pedal to align the screw with the threaded hole, then insert the screw by hand and tighten it.



- ...Place the product on the raised bosses of the base plate (No. 2). After aligning the screw holes, insert and tighten the screws(4#).

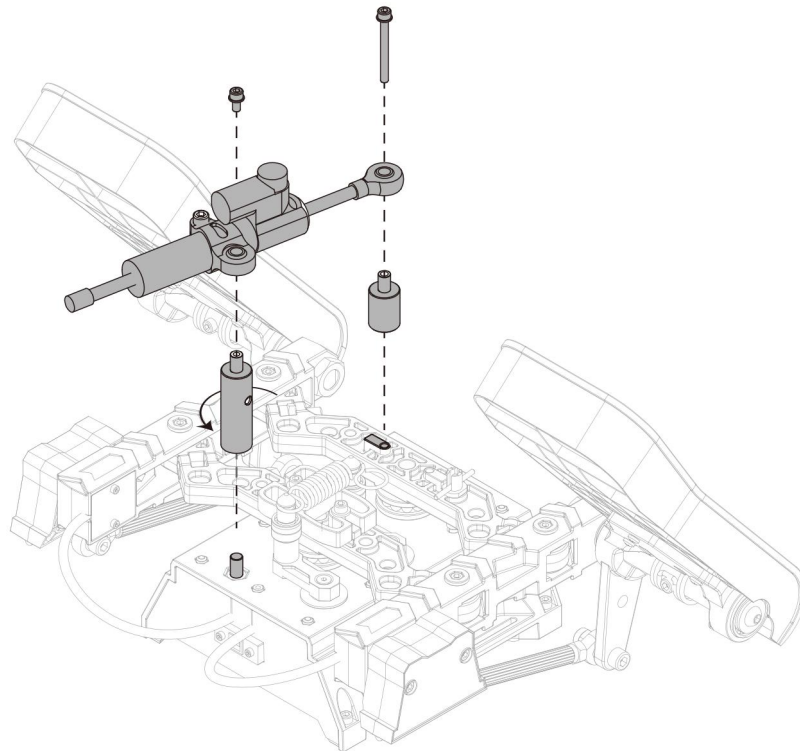
4.2 Place and Use Directly



- ...The four anti-slip silicone pads on the bottom provide stability and prevent slipping.

Note: Use on smooth and clean surfaces to ensure effectiveness. On rough surfaces such as carpets, secure installation is required.

4.3 DAMPER Installation (*Need to purchase separately)

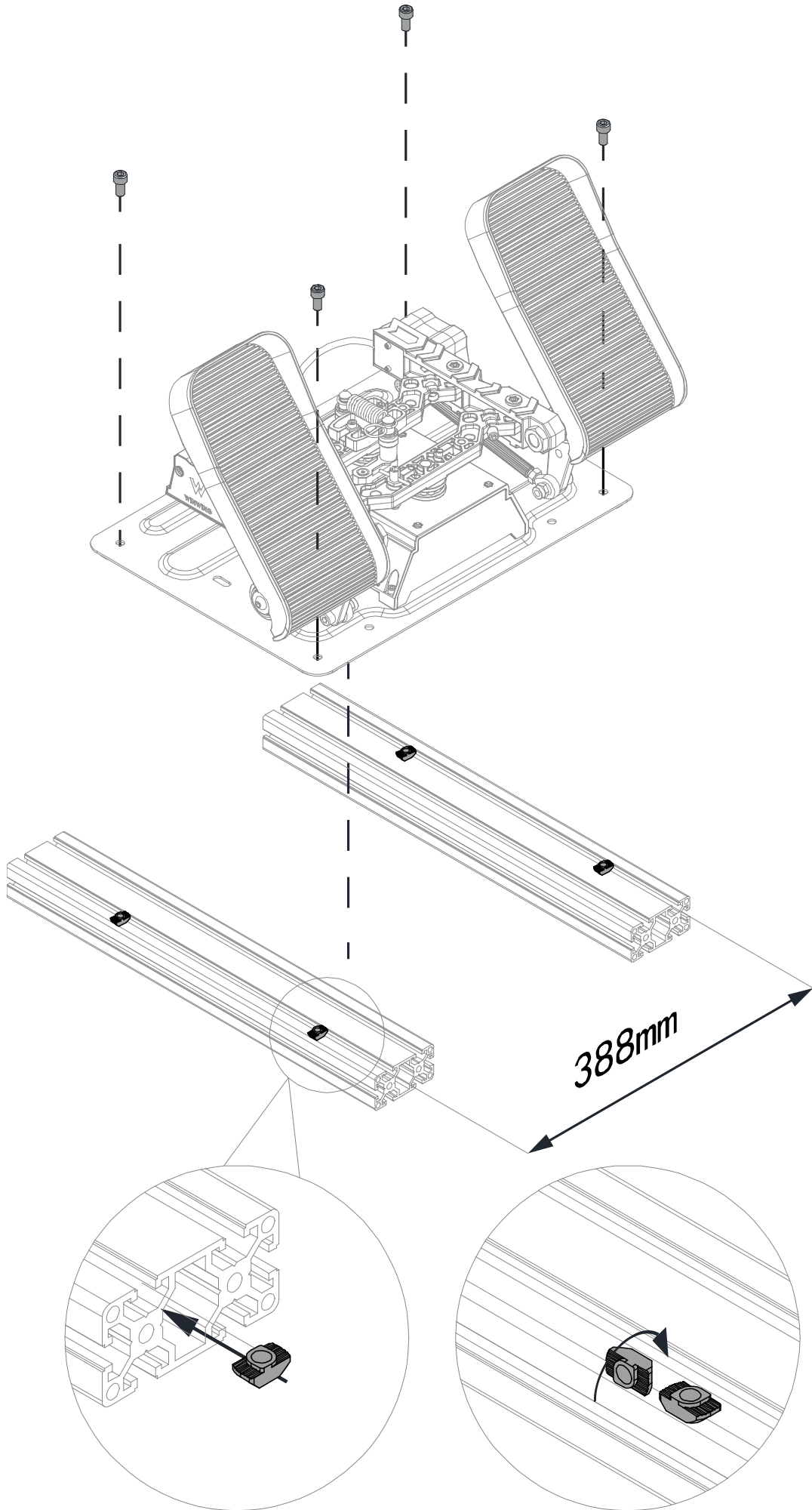


- Screw the long support post in place, then use an 8# hex wrench through the hole to tighten it. Place the short support post onto the mounting boss.
- Adjust the DAMPER extension length so that the holes align with the support posts. Insert the screws with washers through the holes and tighten them.

4.4 Profile Bar Installation (*Profile Bar and Accessories Need to be Self-prepared)

Self-prepared Accessories Sheet (Recommend)

Name	Parameter	Amount
Profile Bar	EU-standard 4080	2
T-shape Nut	40 Model-M8	4
Hex socket head cap screw	M8*16	4



- ...Insert the T-nut into the profile slot (if the profile end is open, slide it in along the slot; if blocked, insert the T-nut vertically into the slot and then rotate it inside the slot).
- ...Adjust the distance between profiles to 388 mm, place the product onto the profiles, and tighten from the front using M8 × 16 screws.

Note: The T-nuts and screws must be compatible with the profiles; the illustrated profile is the EU-standard 4080EU.

5 Maintenance and Care

5.1 Firmware Update

- Use SimAppPro to upgrade firmware
- Before upgrading, ensure the product is securely connected and follow the instructions on the SimAppPro interface.
- If you encounter issues during the upgrade, try restarting SimAppPro and reconnecting the device. *NOTE: Other cables, such as PS2, SATA, or aviation connectors, do not support hot-swapping. Remove USB cable before connecting other cables.
- If you still fail to upgrade, please contact Customer Service for technical support.

5.2 Cleaning and Maintenance

- To prevent accidental dust and dirt entering its interior, the product features a dust-proof design. However, it cannot guarantee complete prevention from dirt, dust, water or salt. Please keep the product clean and avoid above debris as much as possible.

- It is recommended to clean the product after use. Allowing dirt, dust, water or salt to remain on the product may cause malfunction.
- Do not place the product near objects with strong magnetic fields, such as magnets or electric motors. Strong magnetic fields may cause abnormal data from the product.
- Do not place the product in high-temperature areas, such as being exposed to direct sunlight inside a car. High temperatures may cause product malfunction.
- The product contains precision electronic circuits. Do not disassemble the product by yourself.
- Do not touch the product's electronic contacts with your fingers to avoid corrosion. Corroded contacts may lead to product malfunction.
- If the product is suddenly moved from a low-temperature environment to a warm room, condensation may form on the surface and interior. To prevent condensation, place the product in a sealed plastic bag and wait for the temperature to gradually rise before removing it from the bag.
- If condensation occurs on the product, refrain from using it to avoid damage. Wait for all moisture to evaporate before continuing to use the product. Even the product is fully dried, the internal components may still be at a low temperature.
- Avoid storing the product in chemical laboratories or areas with chemicals that may cause rust or corrosion.
- Use only original parts for maintenance and replacement.

5.3 FAQs and After-Sales Service

Frequently Asked Questions:

- If the product is experiencing abnormalities, please check if the firmware and SimAppPro version are up-to-date. Upgrade if necessary.
- If you experience signal instability or drift during use, try re-calibrating within SimAppPro or clearing the game controller data in Windows.
- If the product is having issues with unstable connection or is not recognized by the computer, try switching to a different USB port (it is recommended to use a USB port directly on the motherboard or a three-prong USB hub with independent power and proper grounding). Also, try cleaning the data cable's connectors with alcohol or replacing the cable to see if the signal stabilizes. *NOTE: If you need to connect other interfaces, such as PS2, SATA, or aviation connectors, please disconnect the USB cable first before proceeding.
- After connecting the product to the computer, make sure to secure the cables in the fixed clips to prevent damage to the connectors.
- When assembling and connecting the product and accessories, ensure that the screws are tightened correctly and that no components are loose or over-tightened. Incorrect handling may cause unusual sounds during operation.
- When using a USB hub to connect the product, ensure that the three-prong hub has independent power supply and proper grounding. Otherwise, the product's signal may be unstable.

6 Safety Precautions

For safe use of the product, please be sure to read and follow these precautions to prevent harm or injury.

- Keep the product out of the reach of children.
- Swallowing product parts or accessories is extremely dangerous. If swallowed accidentally, seek medical attention immediately.
- The moving structural parts of the product are lubricated with grease or damping compounds. Please do not touch them, as accidental ingestion may be harmful to health.
- Use only the intended power supply specified in the product user manual.
- Do not disassemble or modify the product.
- Do not subject the product to strong impacts or vibrations.
- Do not touch any exposed internal components.
- If the product emits smoke, unusual odor, or exhibits any abnormal behavior, stop using it immediately.
- Do not clean the product surface with organic solvents such as alcohol, gasoline, or paint thinner.
- Do not get the product wet, and do not insert foreign objects or pour liquids into the product.
- Do not use the product in environments where flammable gases may be present, as static electricity may cause explosions or fires.
- During thunderstorms, do not touch the product connected to a power outlet, as this may result in electric shock.

Disclaimer

Please read and understand the contents of the product user manual carefully. Failure to follow the instructions may result in personal injury or damage to the product.

Ensure that all personnel using this product are familiar with and understand the user manual for best utility.

Any personal injury, property damage, or product damage resulting from improper use or failure to follow the user manual will be the sole responsibility of the user. The company will not be held liable for such incidents.

When users are using the product:

Users should install, handle, store, use, maintain, and dispose of the product according to the product guidelines, relevant laws, regulations, and safety standards, without violating any applicable laws.

Since the conditions and methods in which the user uses this product are beyond the control of the company, the company is not liable for any consequences arising from the following situations. The responsibility lies solely with the user:

- Personal injury, property damage, or product damage caused by improper user operation, failure to follow the product user manual, or other uncertain factors.

- Changes in the product's technical specifications, data, or content of the user manual due to improvements in reliability, functionality, design, or other reasons, without prior notice.

NO: 20251218-01A-P

WINCTRL